

**KLAD is the South Shore's only
Standing Seam
Metal Roofing company**



Durable and Stylish metal roofing.



Proudly manufactured in Nova Scotia



Why buy a roof with holes in it?



Conventional roofing and regular metal panels have a typical lifespan of 25 years. With Standing Seam Metal Panels the lifespan of your roof and/or walls is increased to anywhere between 50-80 years. Weather and temperature changes cause roofing and siding materials to contract and expand. Over time this causes wear degradation. Exposed fasteners and glue, work against the natural expansion and contraction by preventing movement. The fasteners are also exposed to all of mother nature's elements and will be the first part of your roof to fail.



Standing seam panels are designed to conceal and protect the fasteners. There is no hardware exposed to weather which prevents leakage and reduces the risk of degrading fasteners. The panels allow for natural expansion and contraction without weakening your roof / walls. They are painted with a resin based PVDF coating that gives it high mechanical strength and superior abrasion resistance. The panels can handle high temperatures and extensive ultraviolet ray exposure.



Contact us now
for a free quote.

info@kladpanels.com
902.354.5410

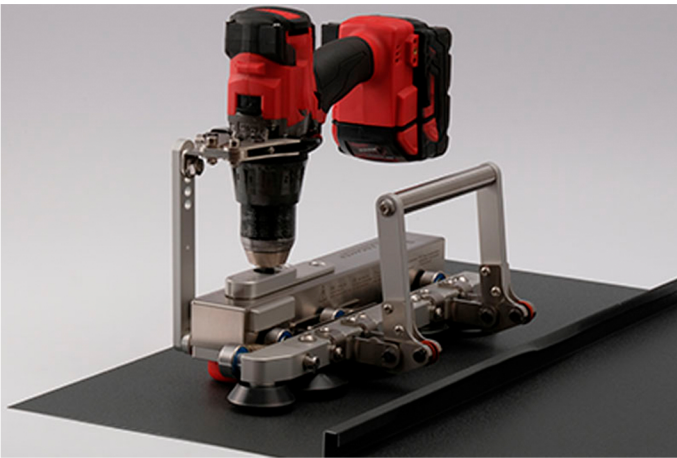
www.getklad.com

www.getklad.com

NO EXPOSED FASTENERS!

We specialize in “no-exposed fastener” metal roofing.

Standing Seam Metal Panels have a unique attachment method. Other metal roofing and wall sheeting are attached by using panel ridges and and/or fasteners. With standing seam panels we lose the fasteners altogether. The install process, involves interlocking slots that attach to form a watertight seal that conceals the fasteners and hardware.

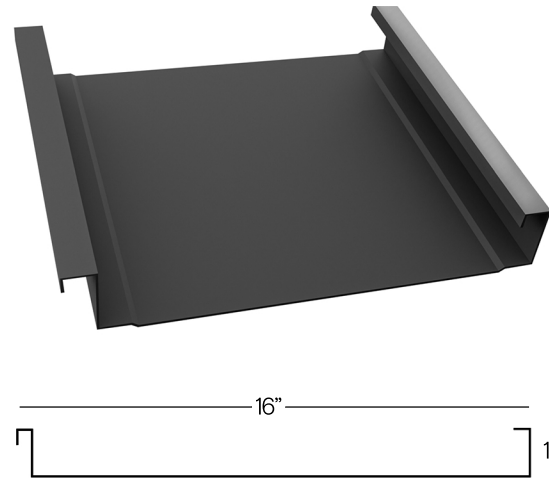


Give your roof an added lifespan of 40+ years more than traditional metal roofing.

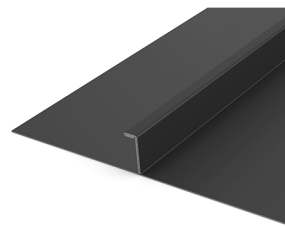


Did you know that metal roofs can reduce your home insurance premium? Metal roofs are durable and generally fire-resistant, something insurance companies find very appealing.

KLAD Premium Mech-Lock

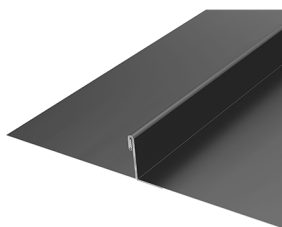


16" of coverage per panel.
 Superior weather resistance.
 No exposed fasteners.
 26 & 24 gauge metal.
 Single or Double lock seaming option.
 Various colour options.
50 year warranty
 Optional bead ribs.
 150 MPH wind rating.



Single Lock

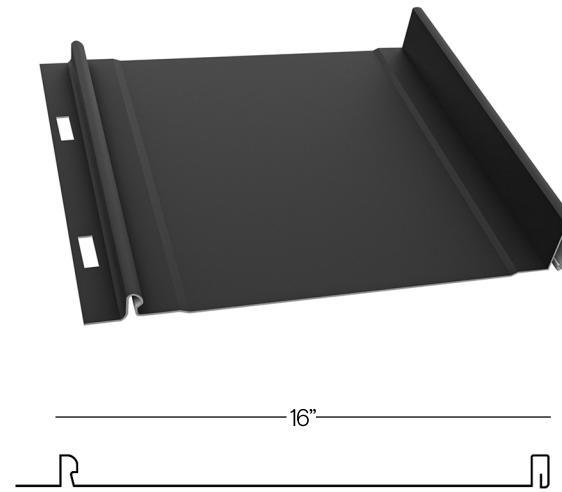
Single lock refers to the seams of the panel being folded once (90 degrees). - Maximum watertight resistance. Head turning, sleek 1/2 inch profile.



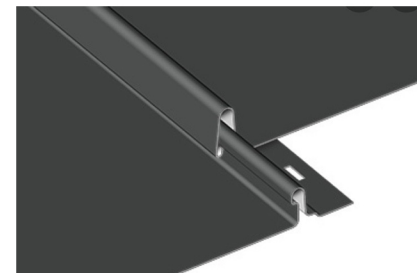
Double Lock

Double lock seams are folded twice (180 degrees). Maximum strength, ideal for high wind areas and waterfront properties.

KLAD Snap-Lock / Nail Strip



Up to 16" of coverage per panel.
 Easy install. No seaming required.
 No exposed fasteners.
 26 & 24 gauge metal.
 Various colour options.
30 year warranty
 Optional bead ribs.
 130 MPH wind rating.



Snap-Lok Nail Strip Metal Panels balance the classic lines of a standing seam metal roofing system with an eye toward budget. Using hidden screws to secure them to the roof deck, panels are seamed together simply by overlapping the male and female legs and snapping them together.

KLAD Classic Colours

SMP Pre-painted Steel



KLAD Signiture Series

PVDF Pre-painted Steel



TEX Series

